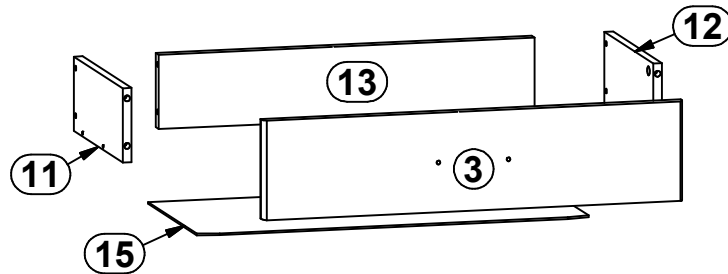
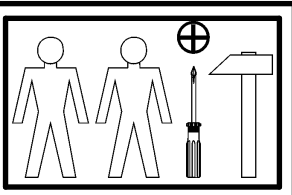
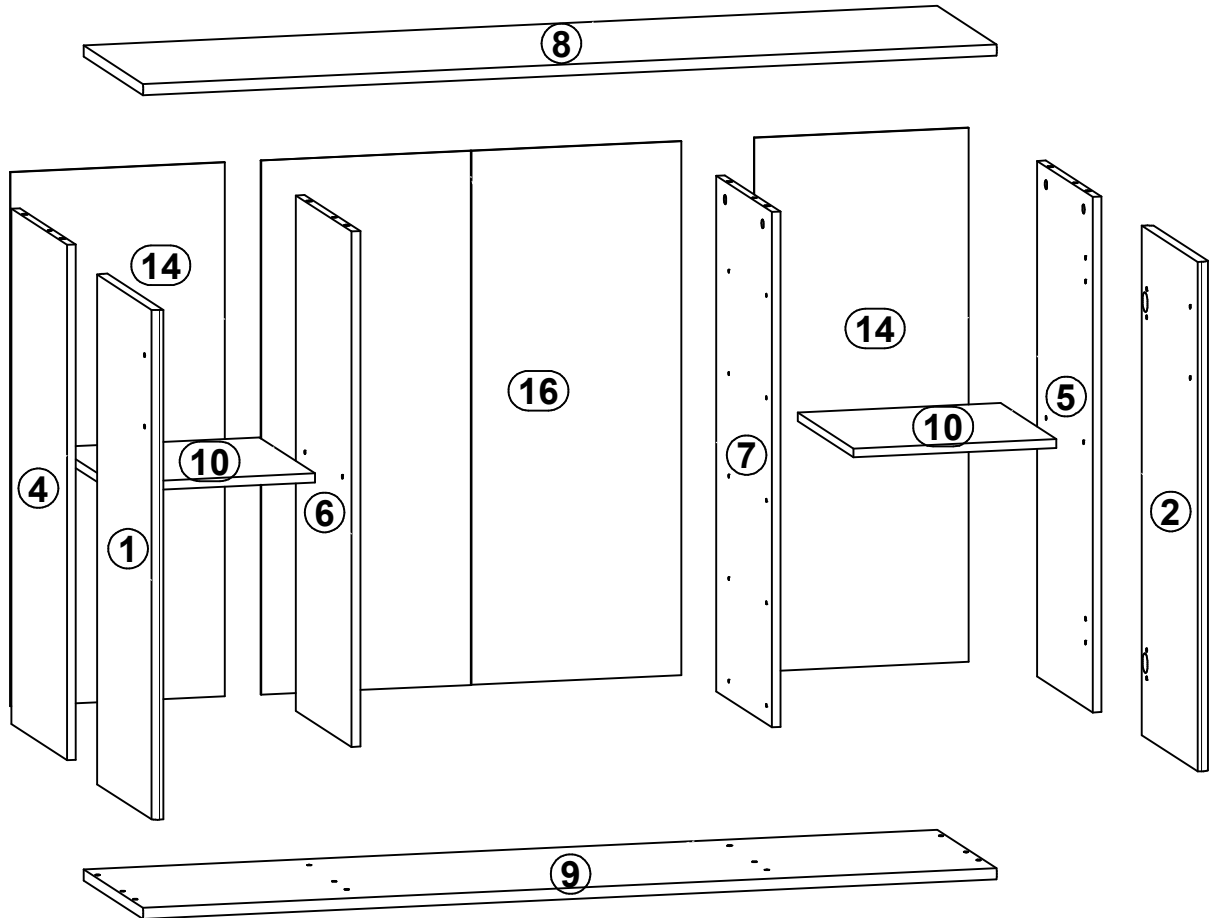
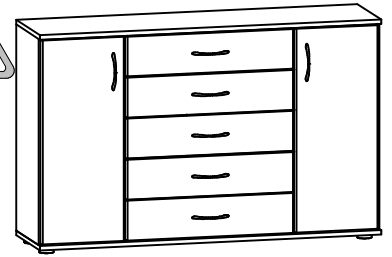


ATRISS

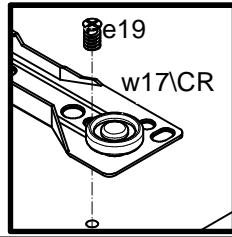
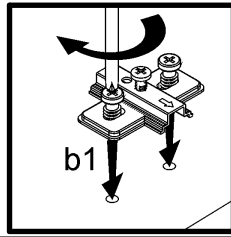
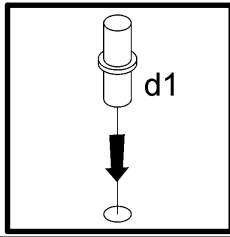
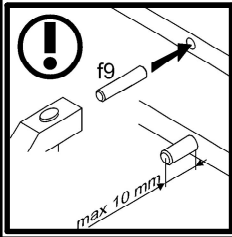
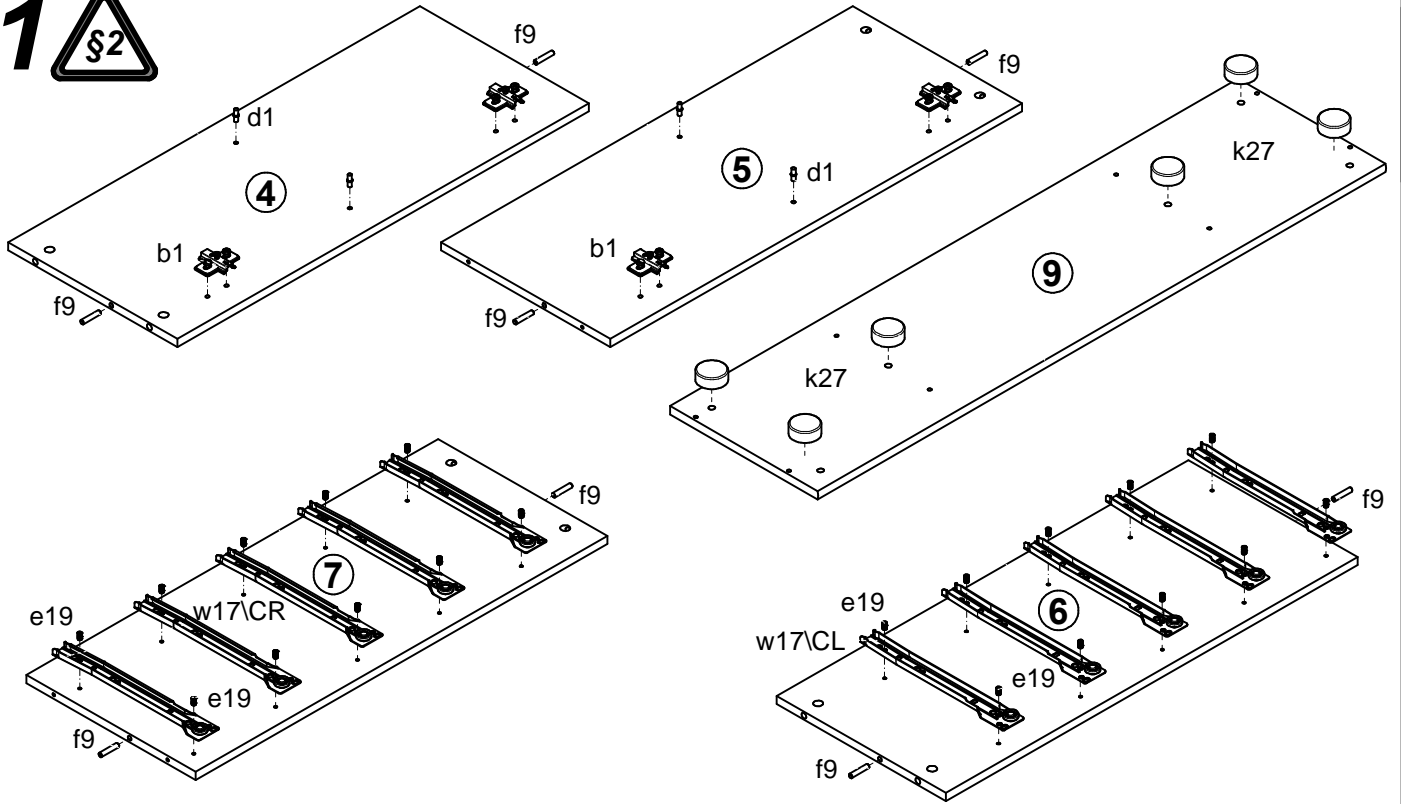
S137-KOM2D5S

A	B	C	D	A	B	C	D		
1	S137-001	686	287	1/1	9	S137-202	1170	305	1/1
2	S137-002	686	287	1/1	10	S137-301	278	285	1/1
3	S137-003	576	134	1/1	11	S137-501	250	100	1/1
4	S137-101	694	285	1/1	12	S137-502	250	100	1/1
5	S137-102	694	285	1/1	13	S137-503	515	100	1/1
6	S137-103	694	285	1/1	14	S137-901	719	293,5	1/1
7	S137-104	694	285	1/1	15	S137-903	537	255	1/1
8	S137-201	1170	305	1/1	16	S137-910	719	576	1/1

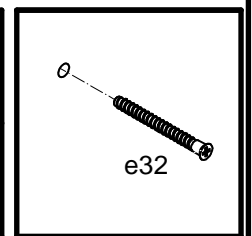
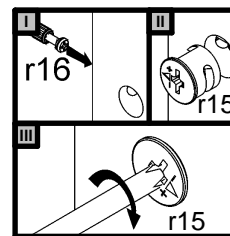
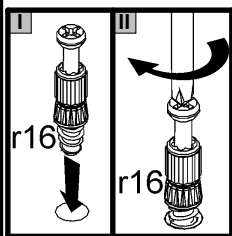
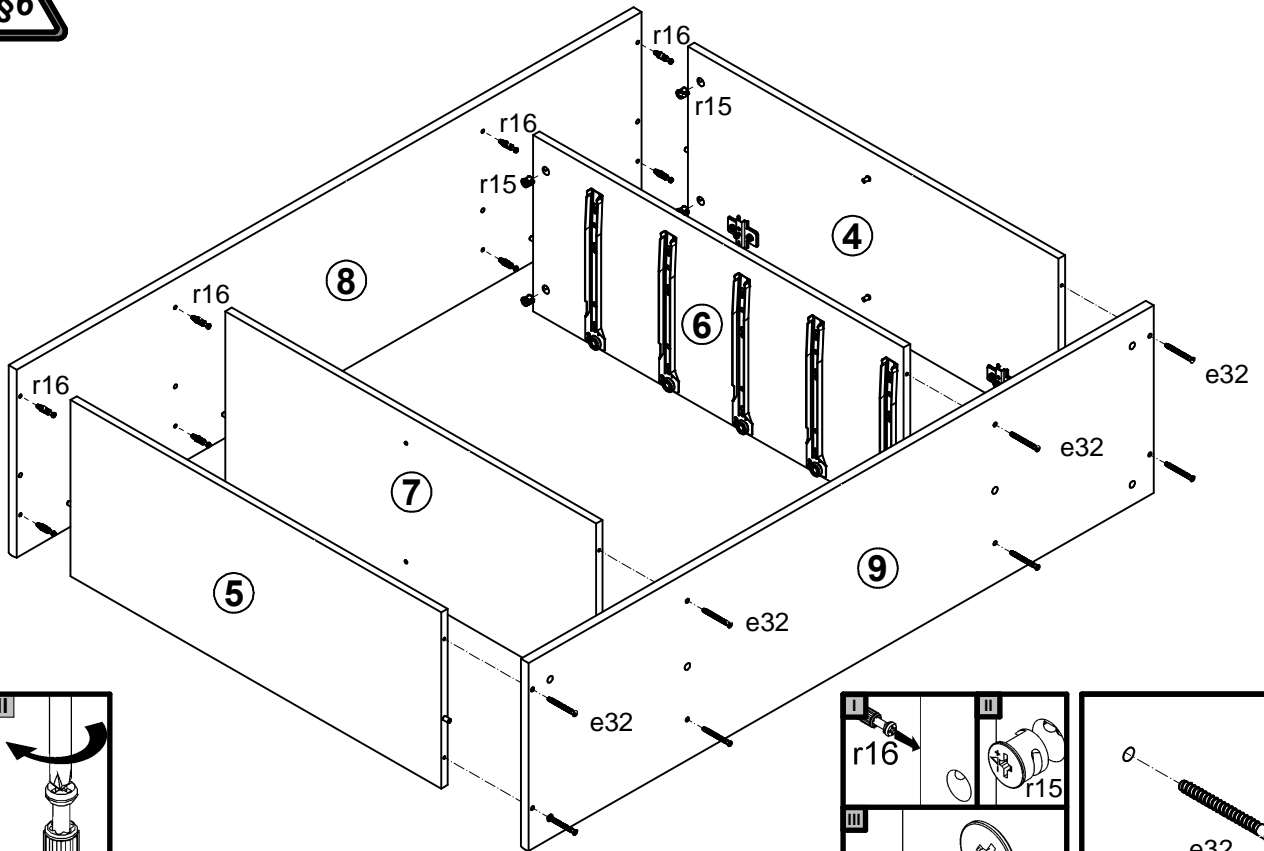


4x K8 a54	4x b1	7x c314	8x φ5x17 mm d1	40x φ5x9 mm e19	8x φ5x50 mm e32	20x φ6,5x40 mm f25	8x φ6x30 mm f9	6x k27
45x l1	20x φ3,5x16 mm p38	14x φ4x25 mm p87	28x φ12x10,5 mm #12 r15	28x r16	5x 250 mm w17\CL	5x 250 mm w17\CR	5x 250 mm w17\DL	5x 250 mm w17\DR
1x n26\1	1x φ3,5x16 mm p38	6x 20x13x3,5\1 mm n108	6x φ2,5x13 mm p15					

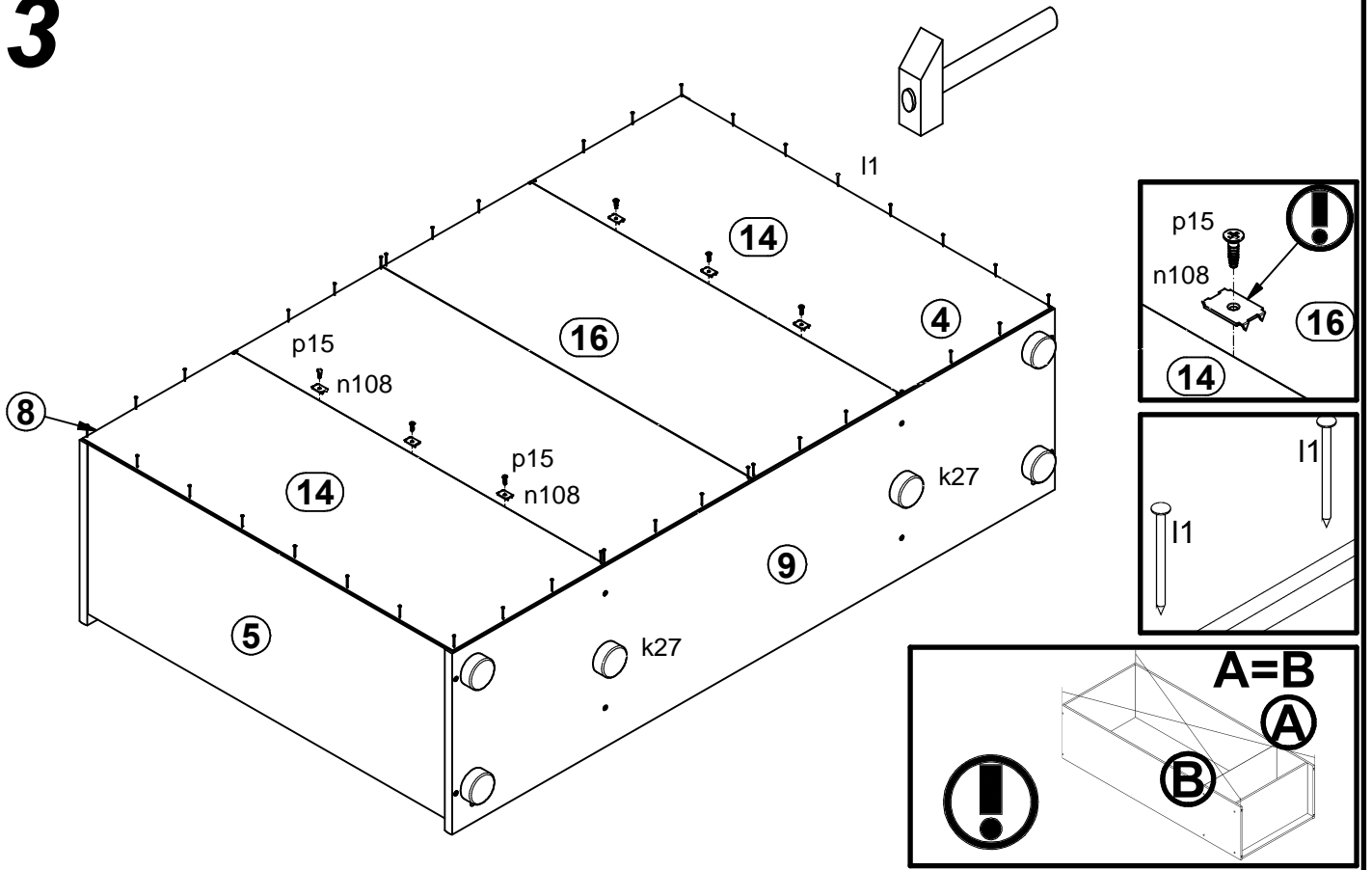
1 §2



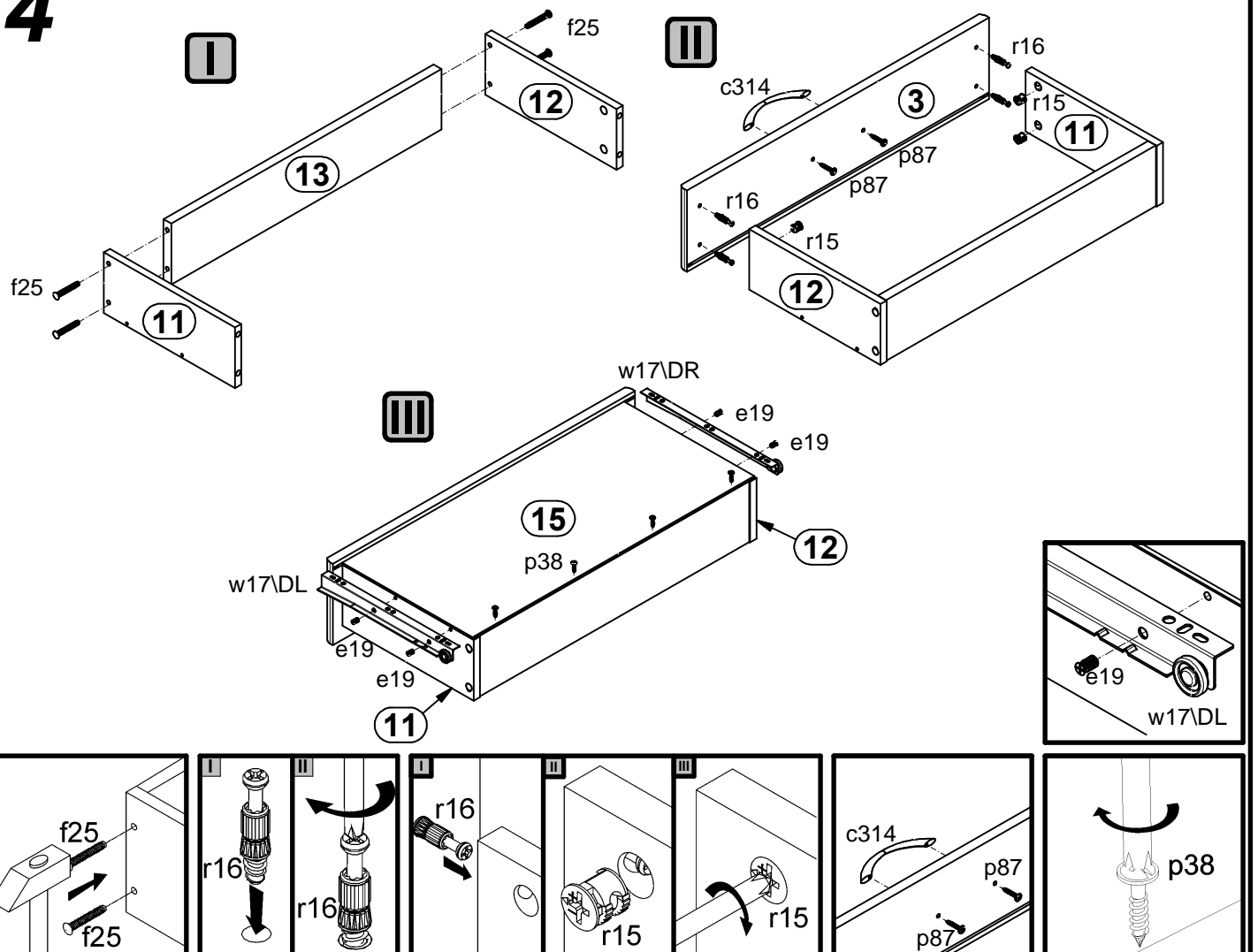
2 §6



3



4



5

