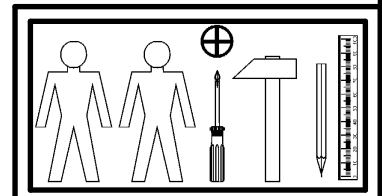
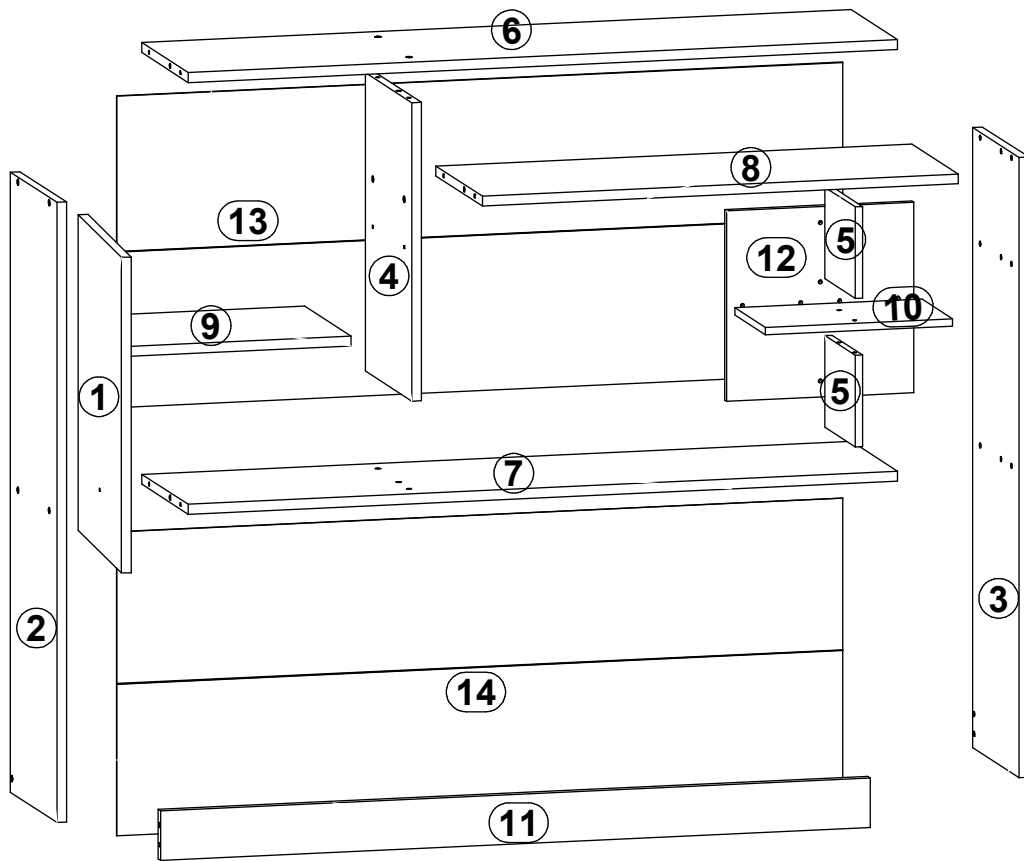
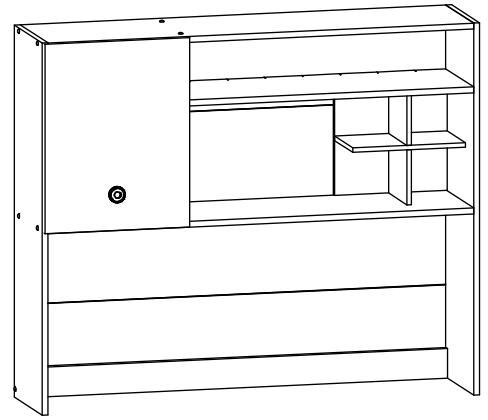


# TWIST

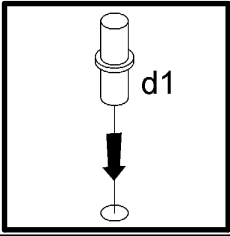
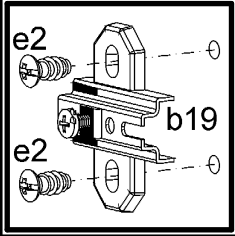
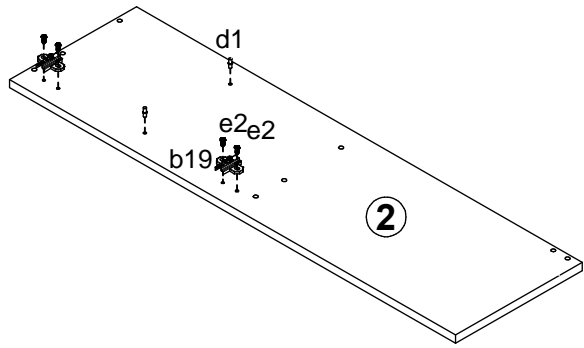
# NADSTAWKA

A	B	C	D
1	S49-007	510	396
2	S49-106	1002	285
3	S49-107	1002	285
4	S49-110	482	285
5	S49-114	148	187
6	S49-308	1167	285
7	S49-309	1167	285
8	S49-315	783	285
9	S49-316	368	284
10	S49-317	308	187
11	S49-409	1167	80
12	S49-410	308	308
13	S49-905	1194	503
14	S49-906	1194	491

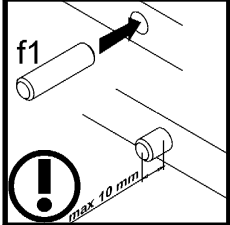
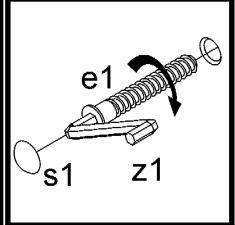
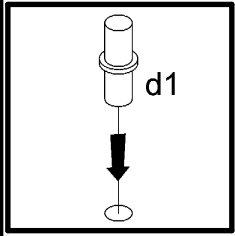
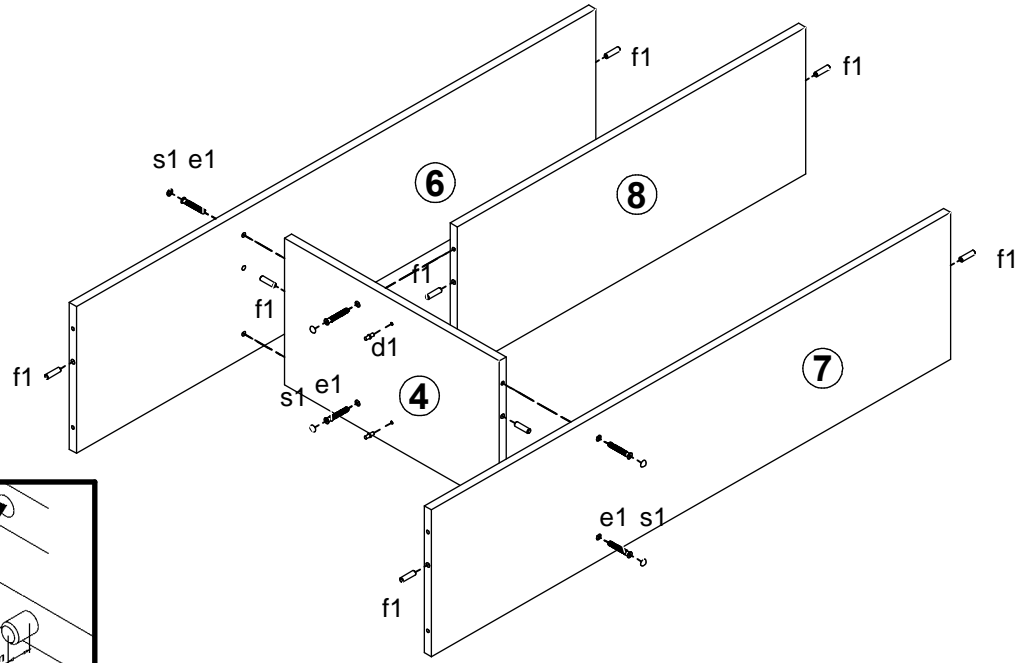


2x a44	2x b19	1x c176	4x d1 φ5x17 mm	18x e1 φ7x50 mm	4x e2 φ6,3x13 mm	8x e32 φ5x50 mm	10x f1 φ8x30 mm	2x f36 φ6x50 mm
60x l1	2x n52 62x12/1mm	6x p25 φ3,5x16 mm	8x p38 φ3,5x16 mm	4x p51 φ3,5x15 mm	1x p9 φ4x30 mm	18x s1	1x z1	1x n26
1x p38 φ3,5x16 mm	4x j45 M4x12 mm	2x j45						

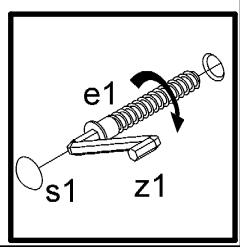
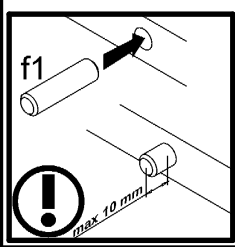
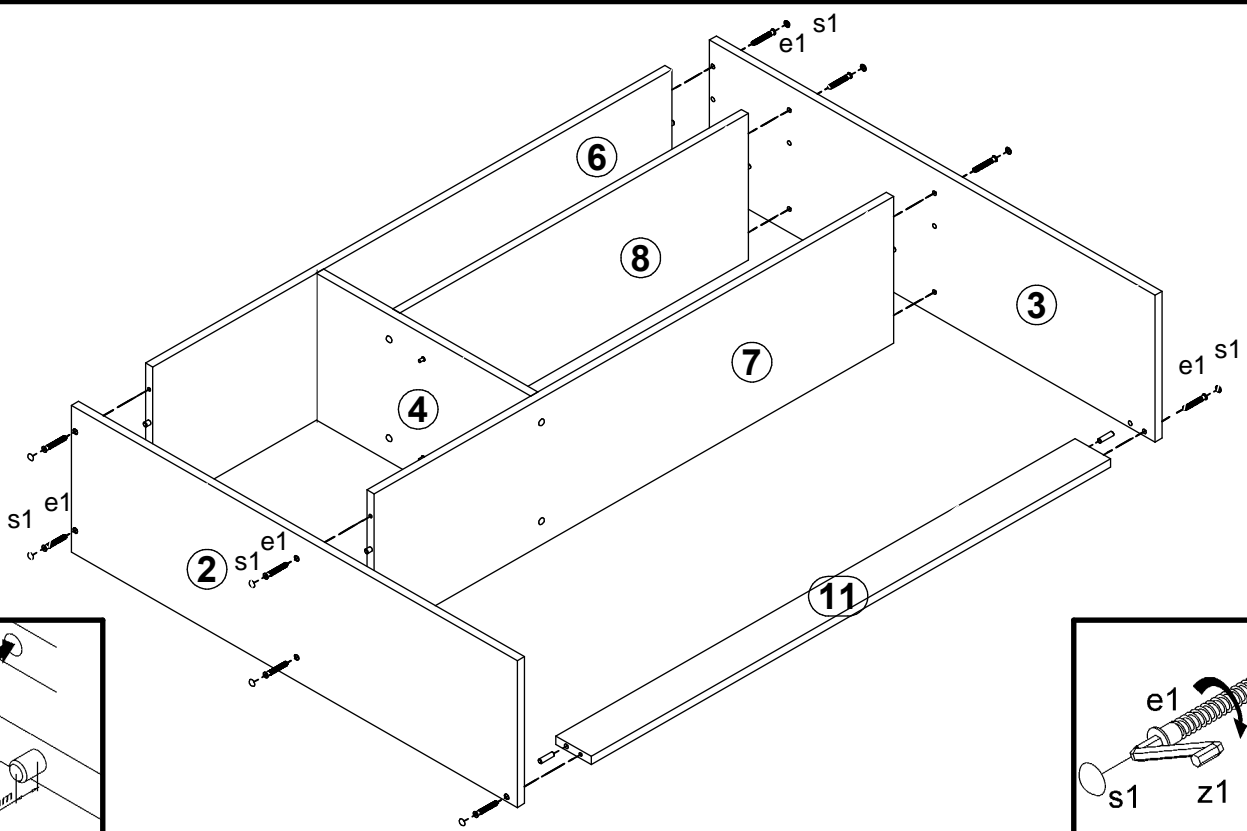
# 1



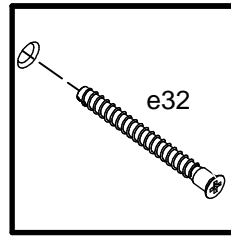
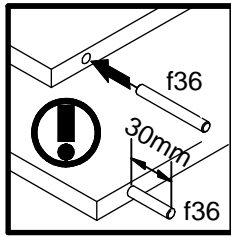
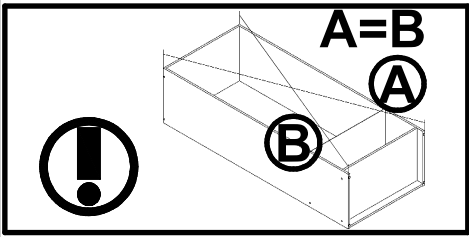
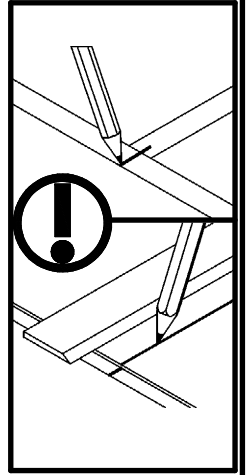
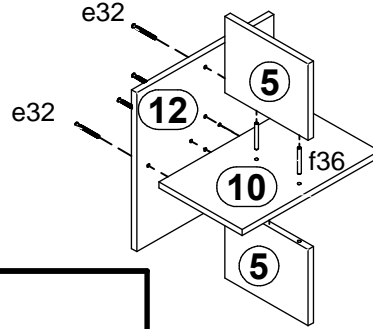
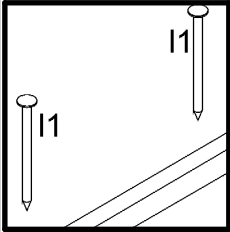
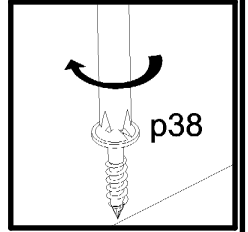
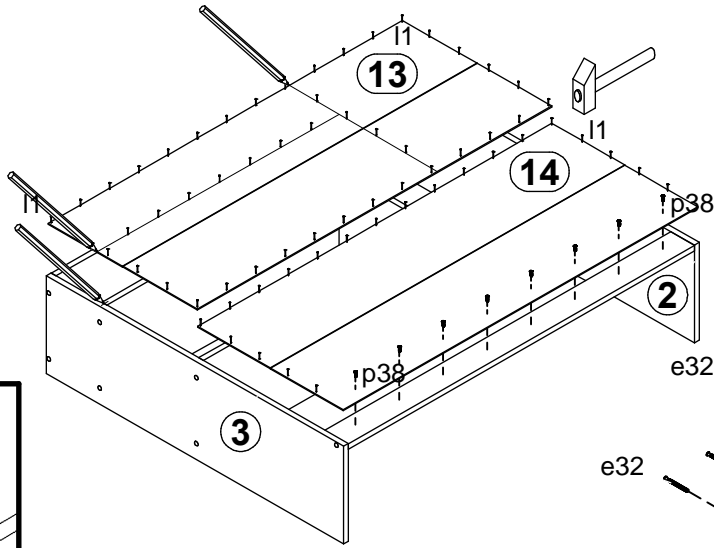
# 2



# 3



# 4



# 5

