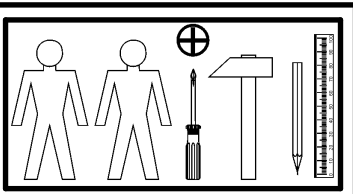
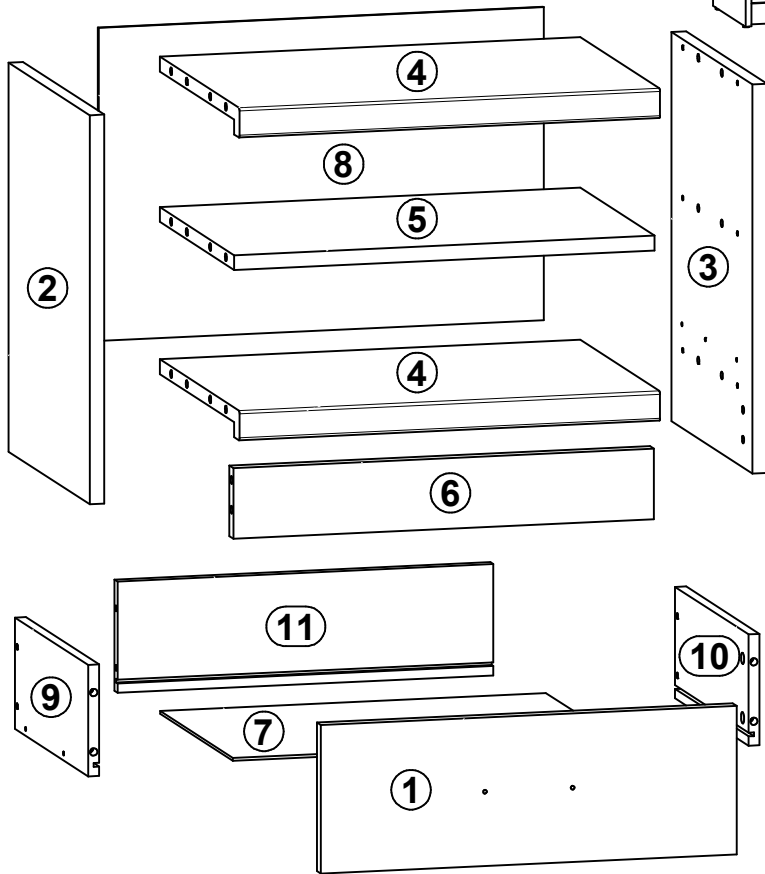
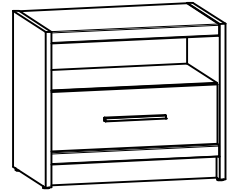


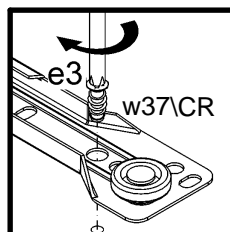
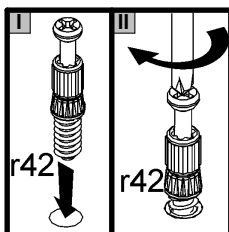
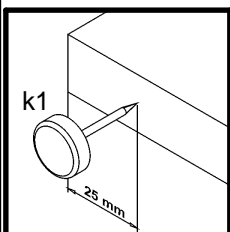
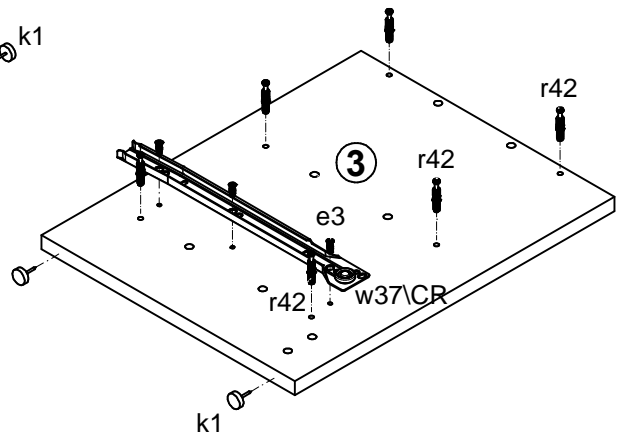
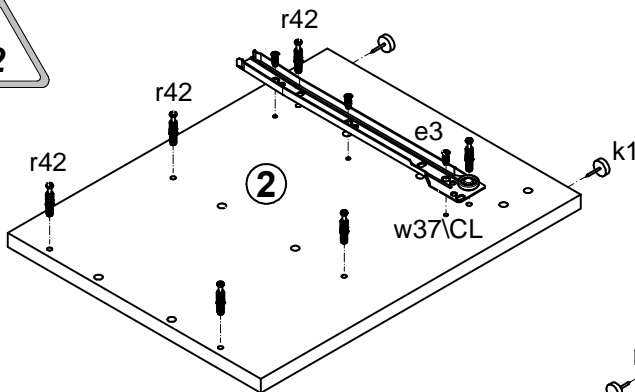
# OPEN

# S133-KOM1S

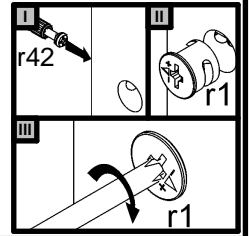
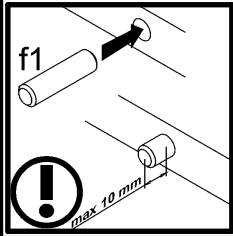
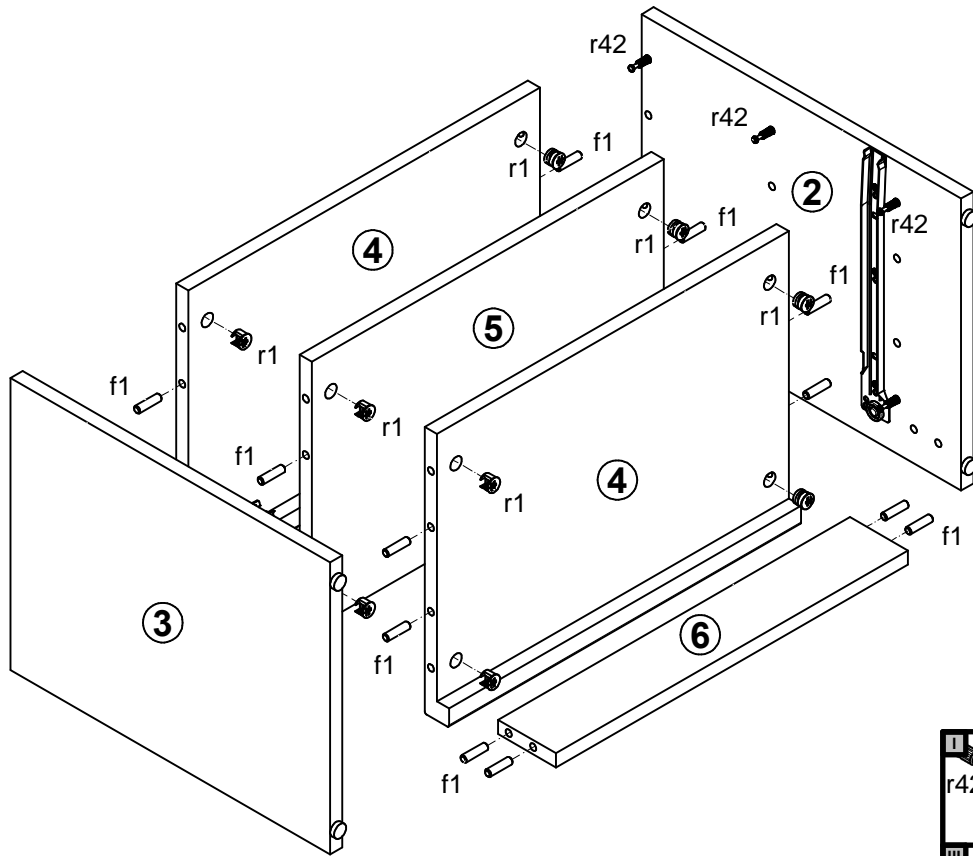
A	B	C	D	
1	S133-023	456	160	2/2
2	S133-126	419	332	1/2
3	S133-127	419	332	1/2
4	S133-319	461	326	1/2
5	S133-322	461	304	1/2
6	S133-406	461	76	1/2
7	S133-914	423	298	1/2
8	S133-916	337	488	1/2
9	ZS2-507	300	120	1/2
10	ZS2-508	300	120	1/2
11	ZS2-5549	412	120	1/2



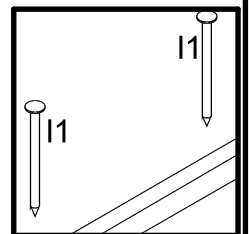
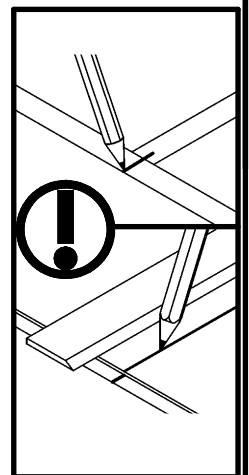
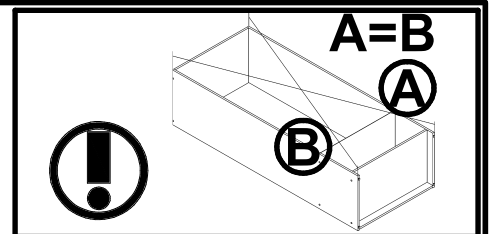
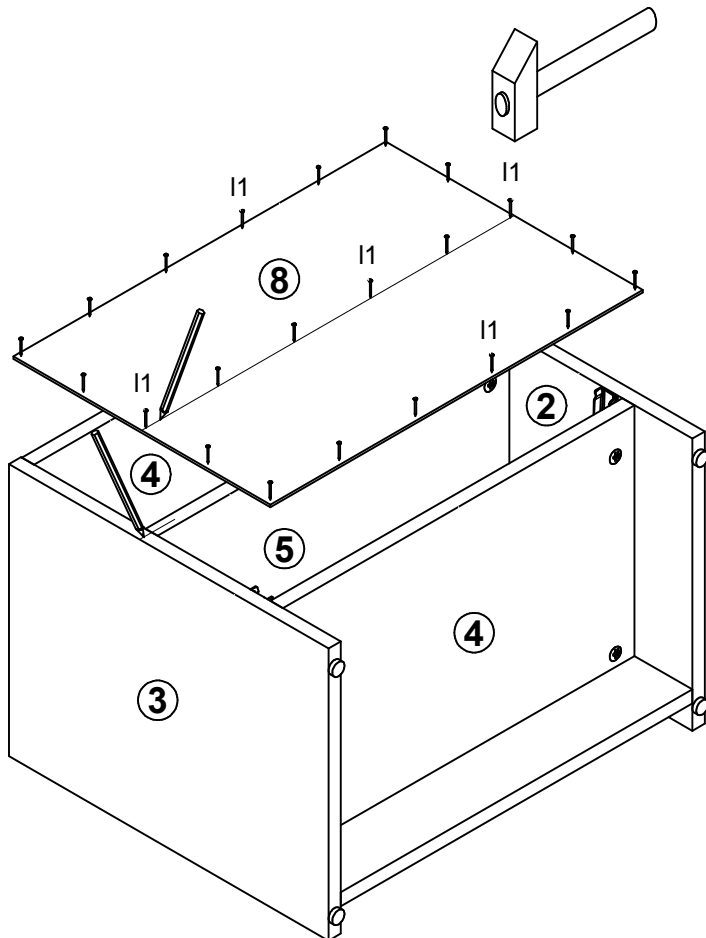
1x 126 mm c223\7	4x φ5x9 mm e19	6x φ6x13 mm e3	16x φ8x30 mm f1	4x φ6.5x40 mm f25	4x k1	25x l1	2x φ2.9x24 mm p50	12x φ1.5x12mm #16 r1
4x φ12x10.5mm #12 r15	16x r42	1x 300 mm w37\CL	1x 300 mm w37\CR	1x 300 mm w37\DL	1x 300 mm w37\DR			



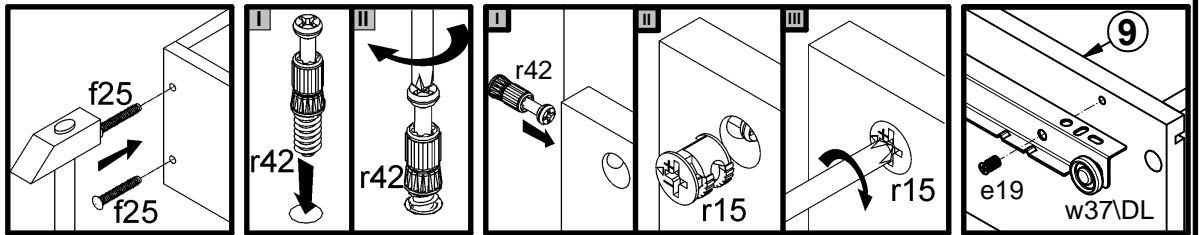
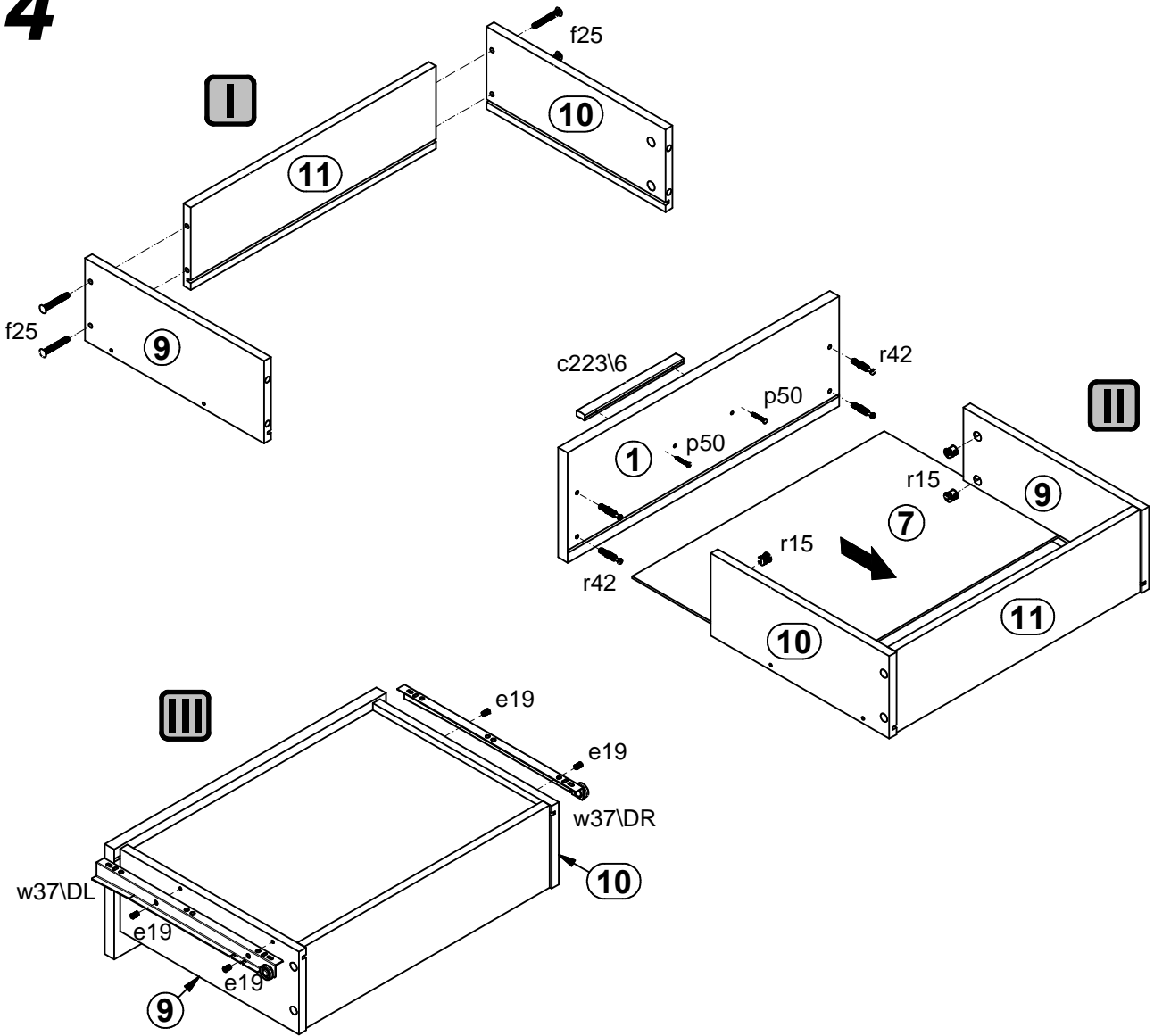
# 2



# 3



# 4



# 5

