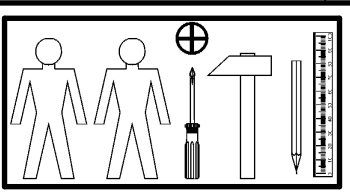
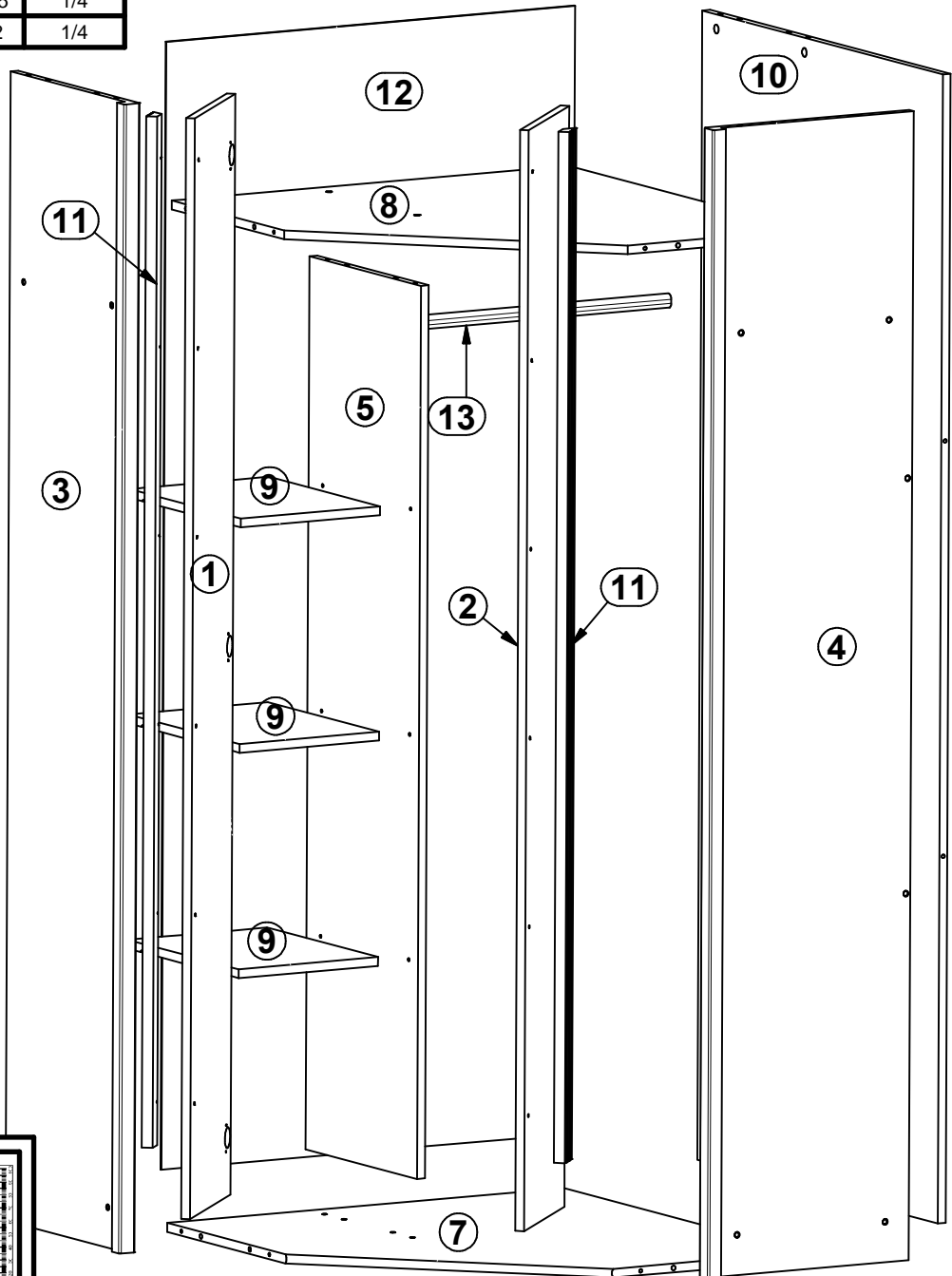
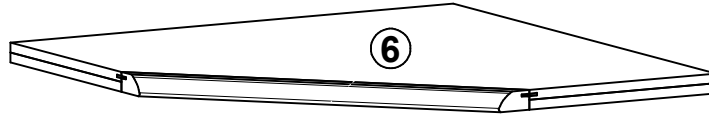
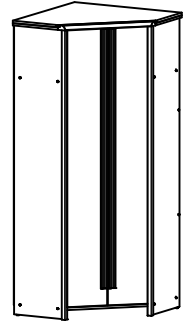


CAPS

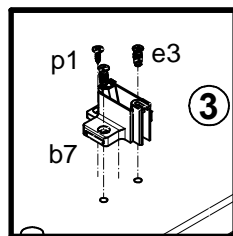
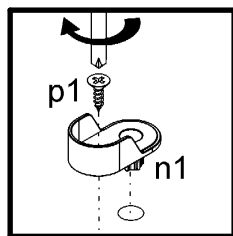
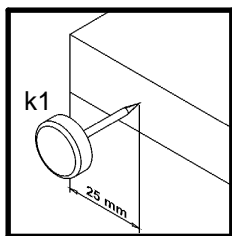
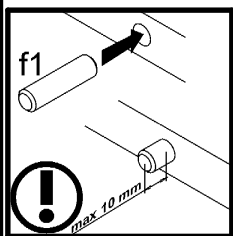
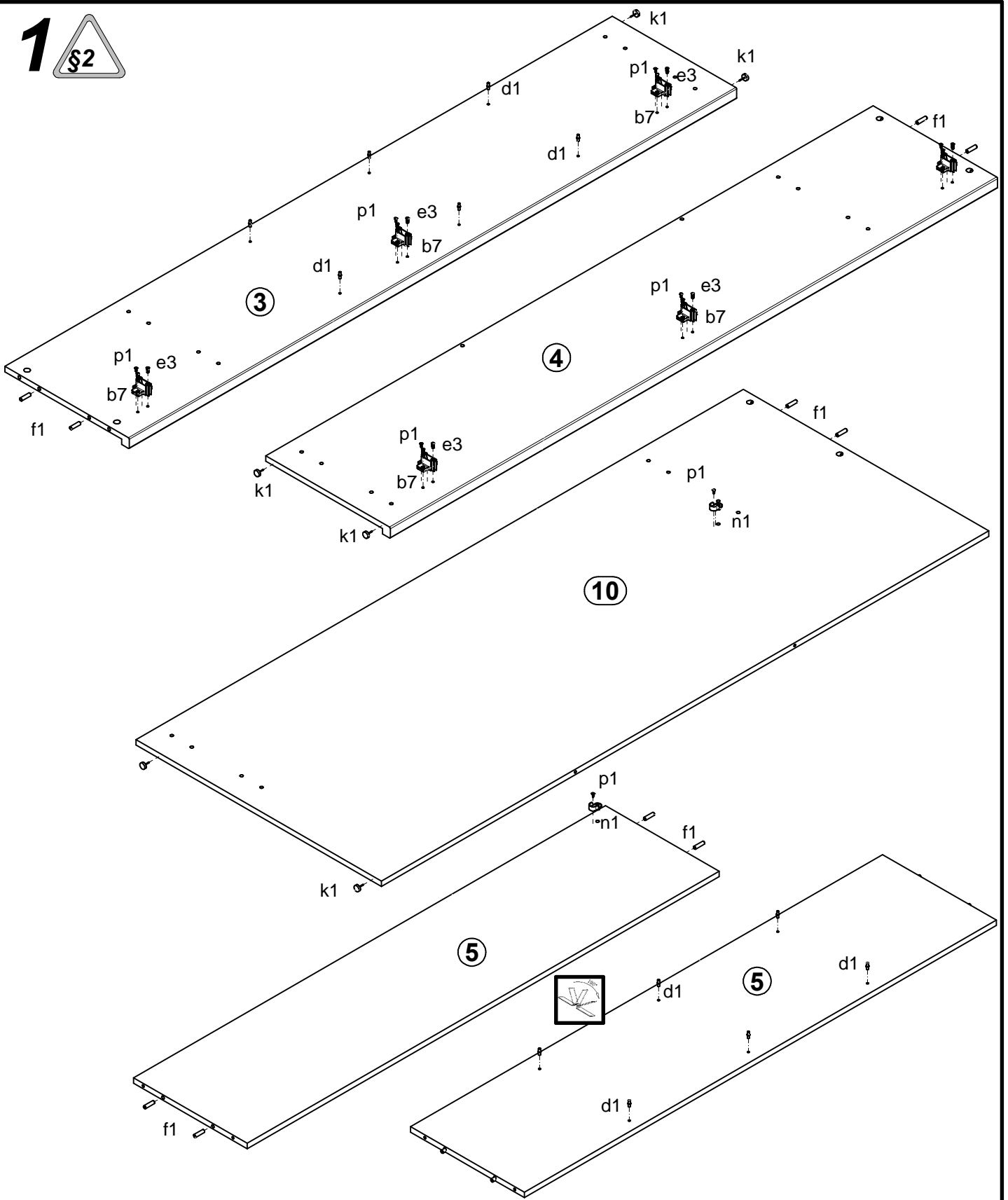
S153-SZFN2D

A	B	C	D
1	S153-017	1866	275
2	S153-018	1866	275
3	S153-126	1948	399
4	S153-127	1948	399
5	S153-130	1514	365
6	S153-207	818	818
7	S153-320	771	787
8	S153-321	771	787
9	S153-326	271	364
10	S153-405	1948	787
11	S153-577	1748	49
12	S153-912	1912	795
13	dr-480	480	22

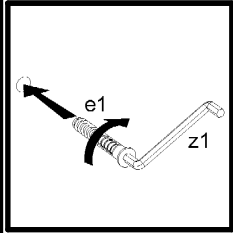
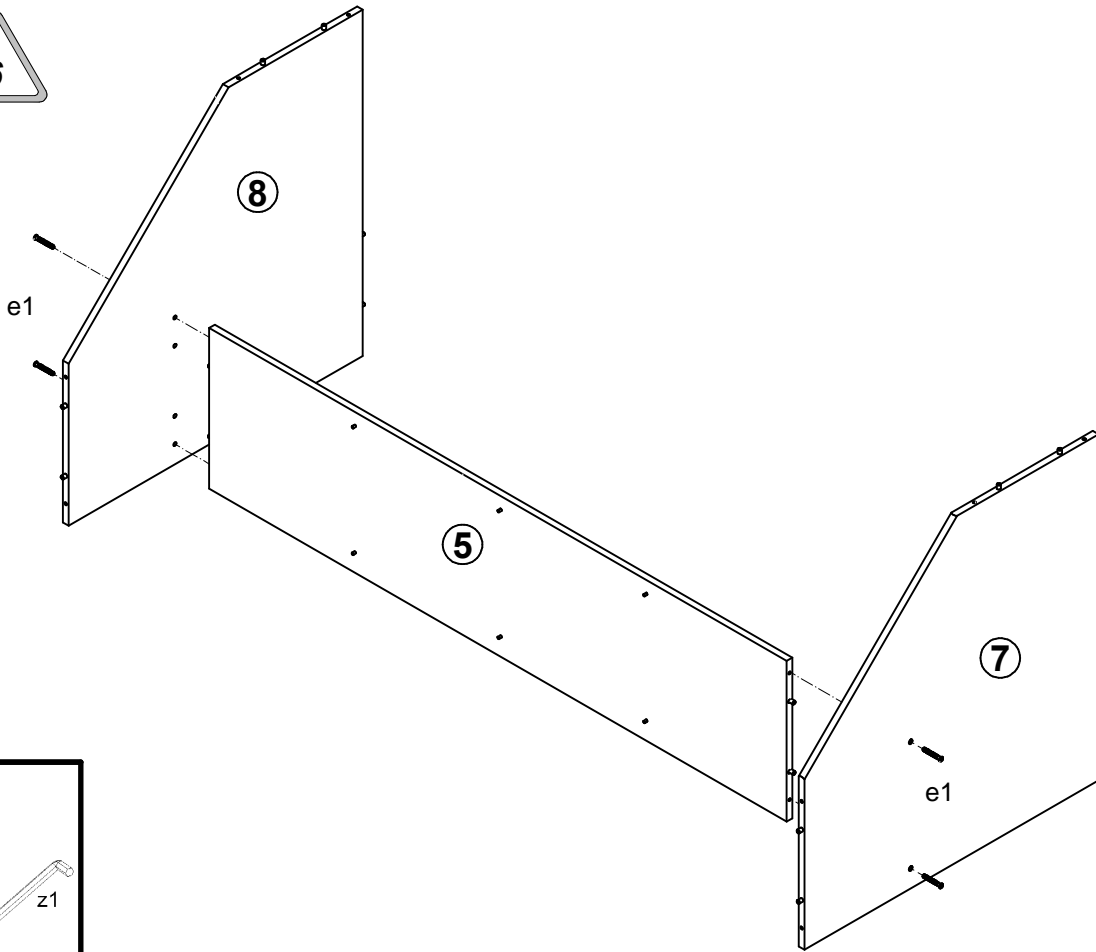


6x a14	6x b7	12x d1 φ5x17 mm	18x e1 φ7x50 mm	12x e3 φ6x13 mm	22x f1 φ8x30 mm	6x k1	80x l1	2x n1
8x p1 φ3,5x13 mm	12x p51 φ3,5x15 mm	12x p60 φ4x22 mm	6x r1 φ1,5x12mm #16	6x r42	1x z1	16x s1 ø16	6x s2	

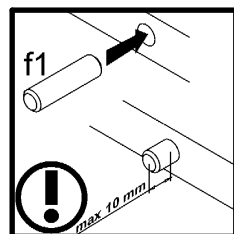
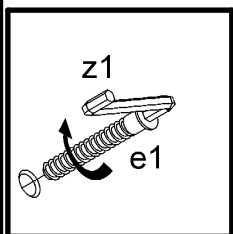
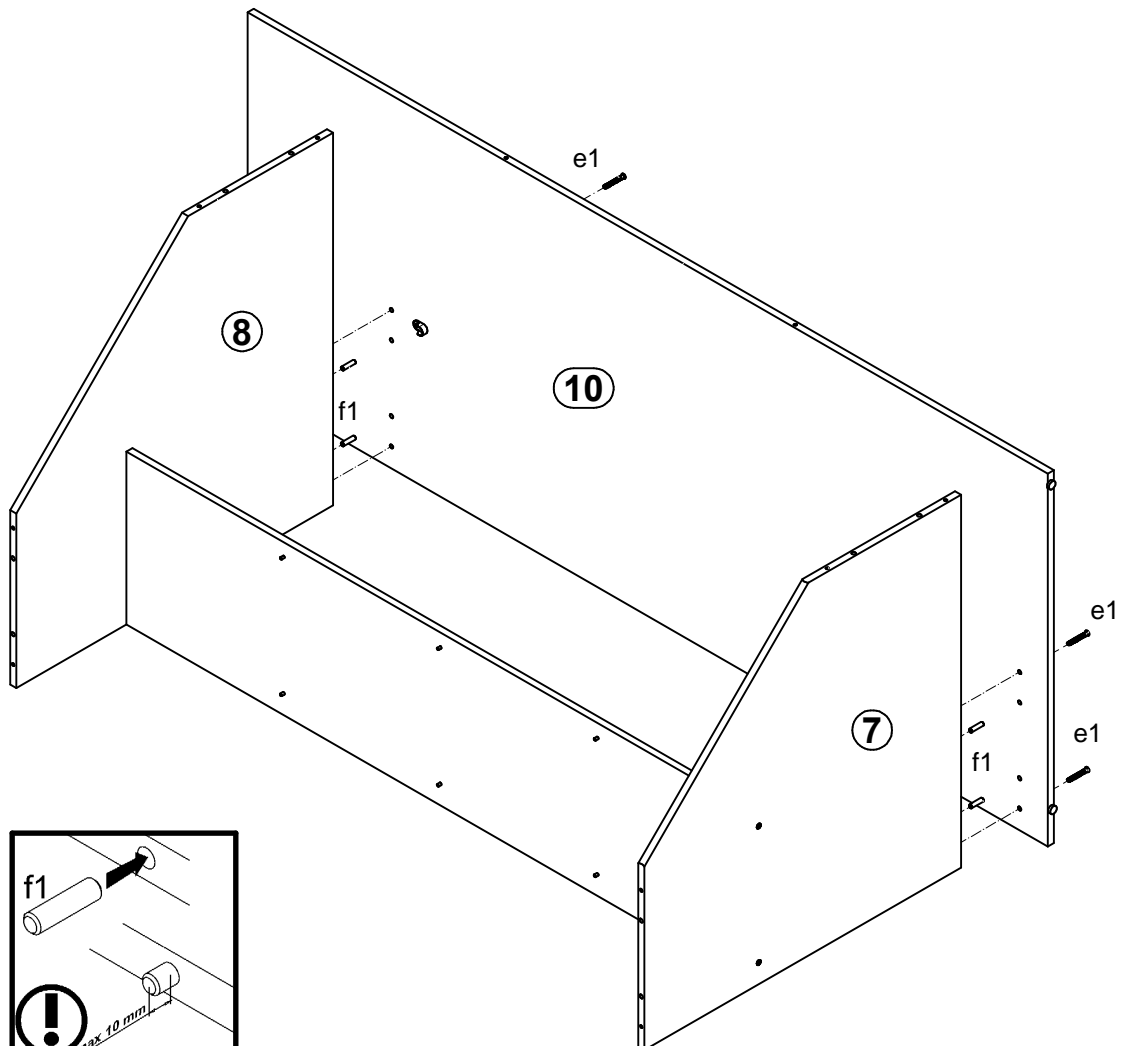
1 



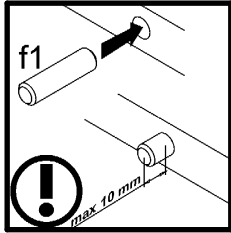
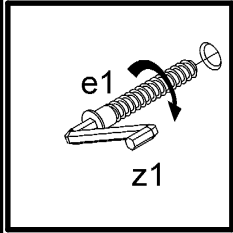
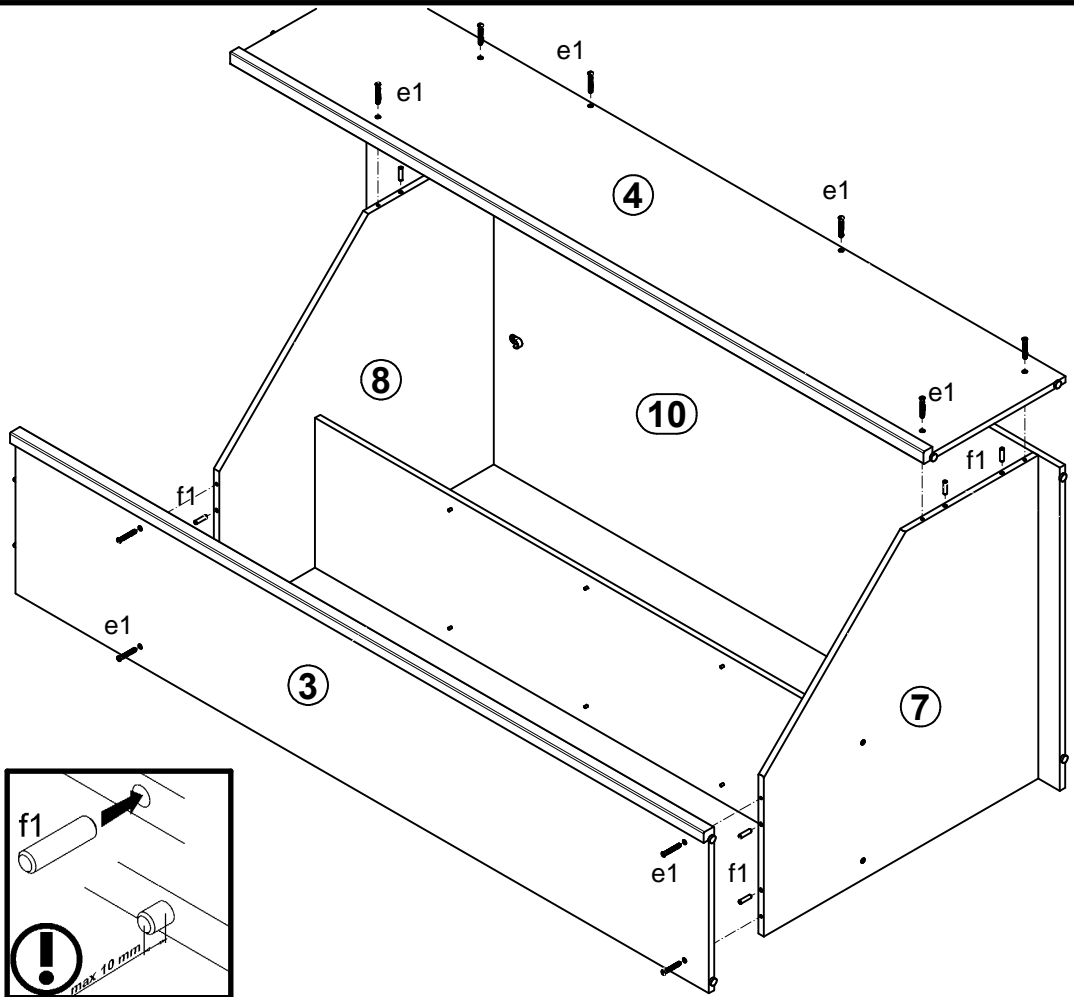
2



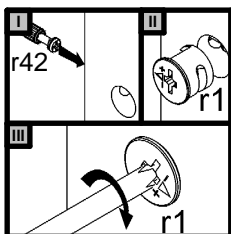
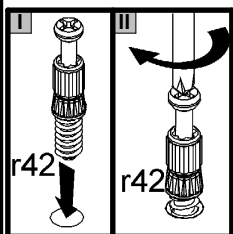
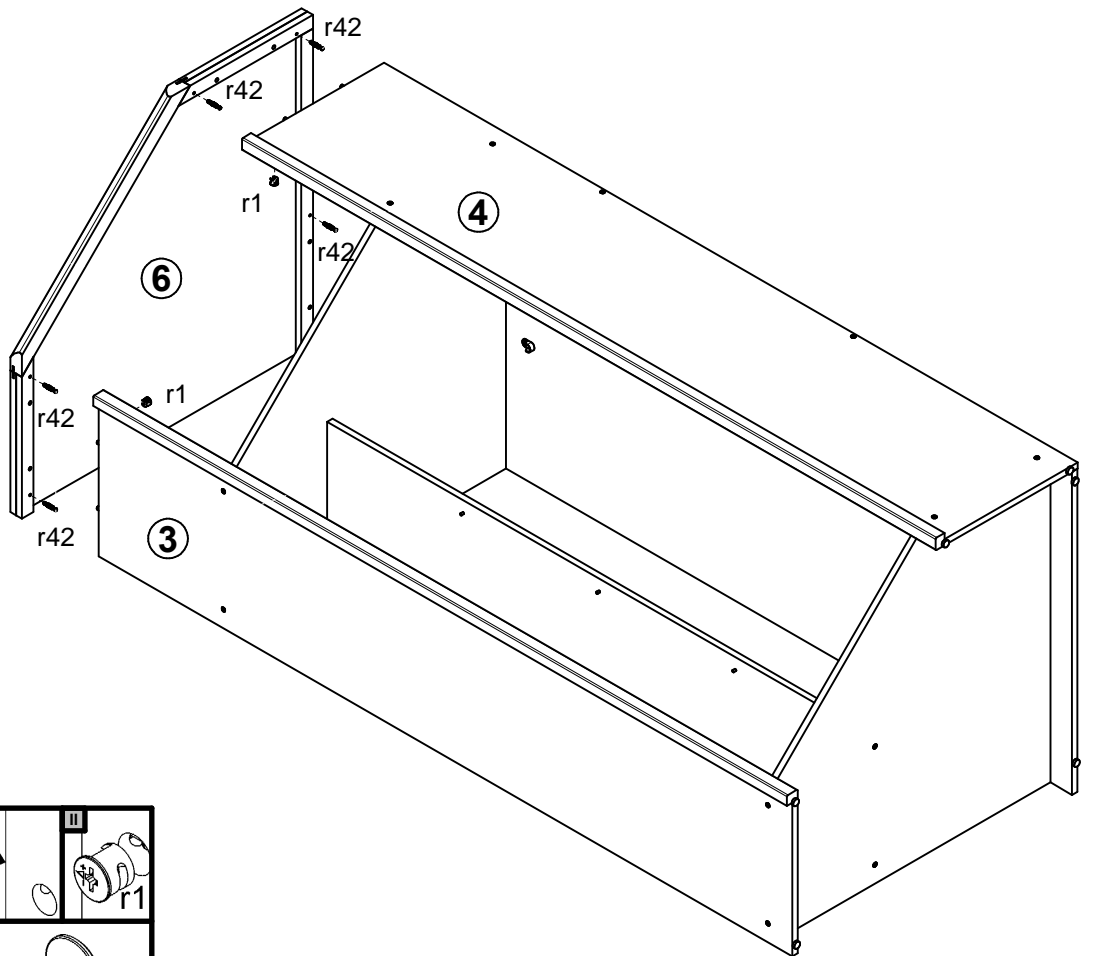
3



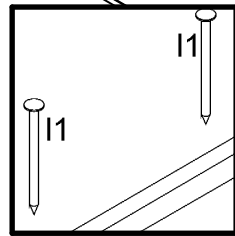
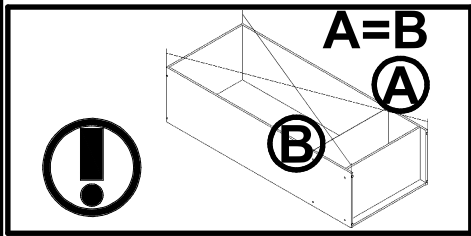
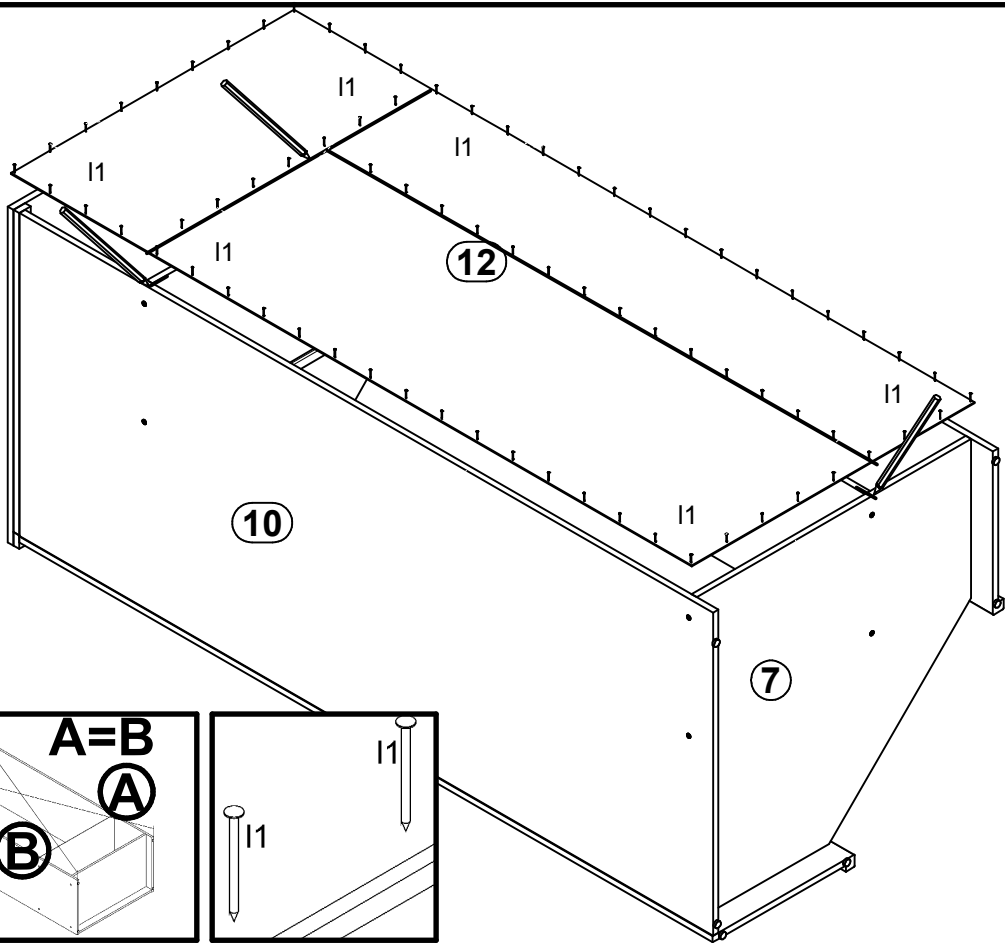
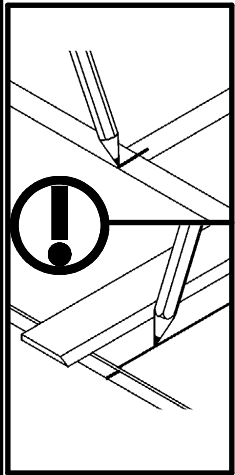
3



4



5



6

